

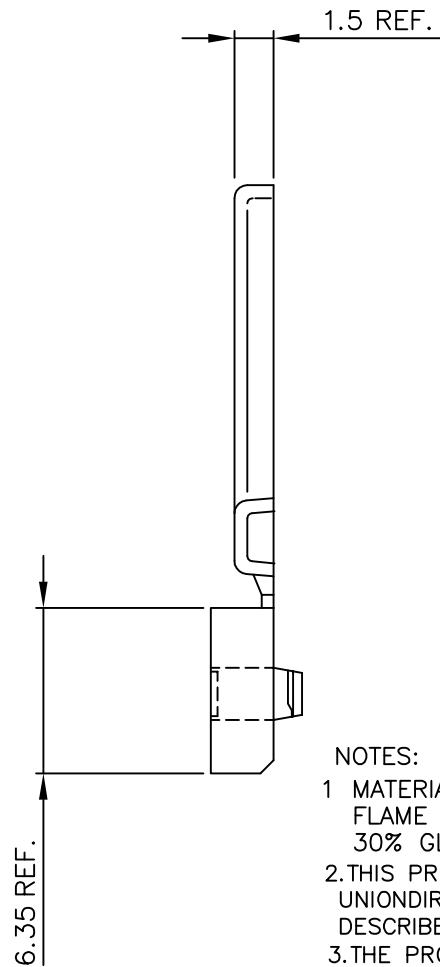
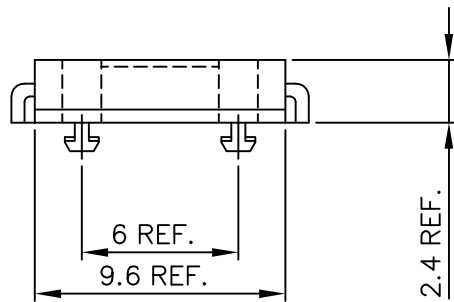
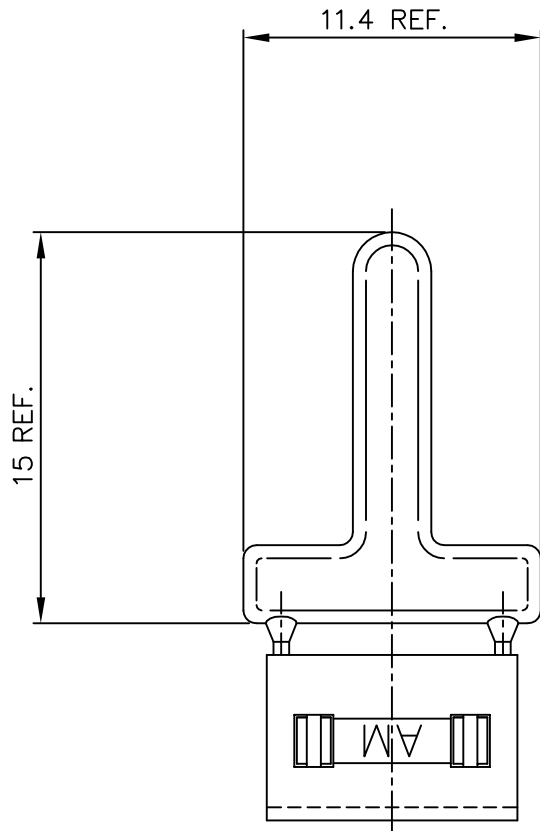
Tous droits strictement réservés. Reproduction ou communication sans autorisation écrite du propriétaire.
 Property of FCI b.v.
 © FCI b.v.



Reproduction or issue to third parties in any form, without written authority from the proprietor.
 Property of FCI b.v.
 © FCI b.v.

All rights strictly reserved. Reproduction or issue to third parties in any form, without written authority from the proprietor.
 Property of FCI b.v.
 © FCI b.v.

PRODUCT NUMBER 90837-101LF



NOTES:

- 1 MATERIAL: LIQUID CRYSTAL POLYMER. FLAME RETARDANT ACC. UL 94-V0 30% GLASS FILLED, COLOR-GREEN.
- 2. THIS PRODUCT WITH "LF" SUFFIX MEETS EUROPEAN UNION DIRECTIVES AND OTHER COUNTRY REGULATIONS AS DESCRIBED IN GS -22-008.
- 3. THE PRODUCT IS NOT INTENDED TO BE EXPOSED TO A MANUFACTURING SOLDER PROCESS.

mat'l. code SEE NOTE 1				tolerances unless otherwise specified			CUSTOMER COPY	ELECTRONICS www.fciconnect.com	
ltr	ecn no	dr	date	linear	projection				
A	V11997	SCS	910715						
B	V31650	SCS	930830	angles	mm			title BLOCKING KEY HEADER	
C	V41309	RDO	940729						
D	H40388	RVI	940810	dr	D. de Bil	940609	scale 5:1	A3	product family METRAL (tm) code 213 sheet 1 of 1
E	0605-0383	Clu	051011	engr	E. Feijen	940729			
				chr	G.S. Lee	940609			
				appd	G.S. Lee	940609			
sheet index	revision sheet	E	1						